

A60 / A0

IMO

SPECIFICATIONS

Frame	14 GA. Cold Rolled Steel ASTM A1008 / A1008M
Paint	Prime painted
Glass	Contraflam Marine
Size	78 3/4" x 57" (Visible Glass) 57" x 78 3/4" (Visible Glass)

OPTIONS

Frame	14 GA. Stainless Steel Type 316L ASTM A240 / A240M
Frame Type	Welded or Bolted
Paint	Baked Enamel
Customizations	Size, Features, Welding Angle, Extended Flange, Dead Light Cover

CERTIFICATIONS

IMO / FTP
U.S.C.G.#164.137/23/0



DeanSteel Manufacturing Company
931 S. Flores Street
San Antonio, TX 78204

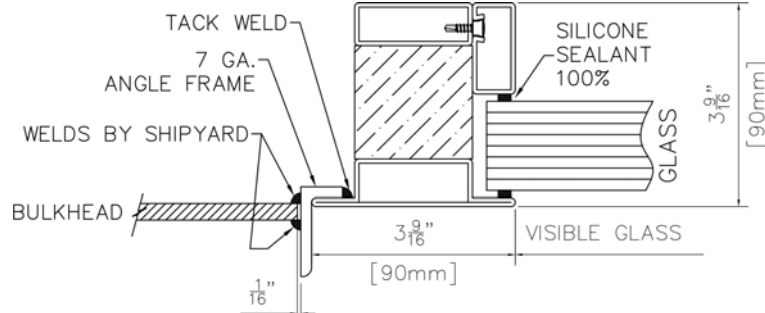
P 800.825.8271
F 210.226.0913
www.DeanSteel.com



MADE IN AMERICA
AND VETERAN OWNED

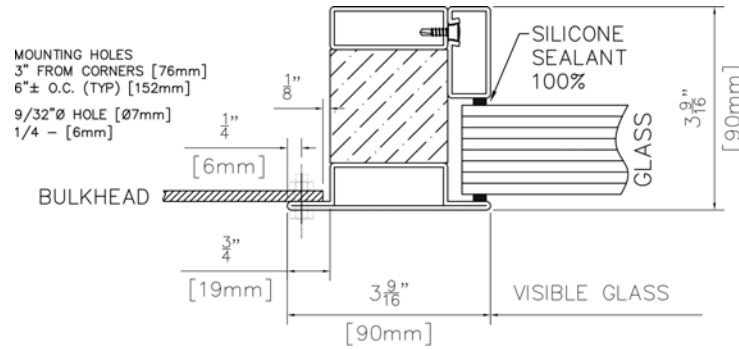
FRAME TYPES

Welded



WELDED INSTALLATION
TYP. CROSS-SECTION A-A

Bolted



BOLTED INSTALLATION
TYP. CROSS-SECTION A-A

